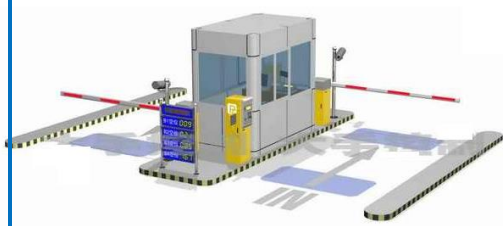




SUBSCRIPTION BASED WITH
ANPR
TICKET DISPENSER
TICKET READER
INFORMATION DISPLAYS
PARKING SPOT SIGNS



OPEN PARK

Integrated parking and ticketing system



OpenPark is an integrated Parking Management, tolling and vehicle access solution. It integrates several sensors according to customer site needs including ANPR cameras, RFID readers, Barcode ticket dispenser and reader using secure QR-Code. It also includes a complete POS system, shift management, cash accounting and collection, ticket printing manually and through ticket dispenser and mobile application.

Every vehicle entry/exit record is documented with a snapshot and or Video clip with time stamp, relevant ticket or RFID card data used in the event.

Automatic Number
Plate Recognition
that works
worldwide

Free subscription
lane, ticket
dispenser for non-
members, ticket
readers, e-payment
with NFC

Centralized
management can
work with unlimited
number of entry and
exit lanes

OPENPARK
TECHNOLOGIES KFT
1051 Budapest,
Széchenyi István tér 7-8
Hungary

Tel: +361 800 1909

www.open-park.com

OpenPark License plate recognition camera

Roadway License Plate Recognition - with outstanding accuracy

Traffic monitoring and crime prevention using license plates recognition and recording its results. Working as an executive unit control device in a stand-alone entry and exit vehicles access system.

Outstanding recognition accuracy

More than 95% recognition accuracy in any environment or conditions.

High vehicle speed

Guaranteed for vehicles at a maximum speed of up to 80kmph on two lanes at night-time and up to 150 kmph on a single lane during daylight hours.



All European and Middle East countries

Reliably detects number plates from all European countries and Arabic countries in the Middle East.

Easy setup

Simple, clear, and user-friendly installation, setup and adjusting.

Black and White list support

User can define unlimited number plates in black and white list on OpenPark server

2M Network IR Bullet Camera

Key Features

- Max. 2 Megapixel (1920 x 1080) resolution
- 5.2 ~ 62.4mm (Optical 12X) Optical Lens
- Max. 60fps@all resolutions (H.265 / H.264)
- H.265, H.264, MJPEG Codec Supported, Multiple stream
- Loitering, Directional detection, Fog Detection, Audio c
- Sound Classification, Tampering
- Motion Detection, Handover
- SD / SDHC / SDXC 2 Slot (Max. 512GB)
- IR Viewable Length 70m (229.66ft), IP67, NEMA 4X, IK:
- LDC Support (Lens Distorsion Correction)
- PoE, 24V AC, 12V DC, Bi-directional audio Support

IR LED Viewable Length 20m

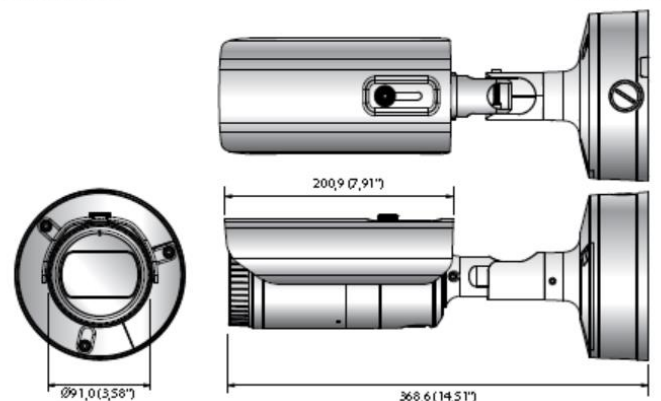
Operating Temperature / Humidity

-20°C ~ +60°C / Less than 90% RH



Dimensions

Unit: mm (inch)



Order Information

OP-LPRCam-1001: Parking LPR camera for up to 80 KM/h

OP-LPRCam-2001: High speed 75fps Global shutter LPR camera for high-speed vehicles

OP-Smart-1001: Parking LPR camera with integrated CPU

OP-Smart-1001: High-speed LPR camera with integrated CPU



OPENPARK TECHNOLOGIES KFT
1051 Budapest, Széchenyi István tér 7-8 Hungary
Tel: +361 800 1909
www.open-park.com